



Middle Atlantic Products, Inc.

96-154 / rev 1 / 10-12-98

PTRK Series Portable Racks



The PTRK Series

Secure rolling steel rack serves a variety of applications

Features

- Fully welded 16 gauge construction.
- 1/8" thick structural steel internal braces.
- Smooth-rolling 4" locking cushion casters.
- Standard keylocked front & rear doors.
- Rubber-padded spring loaded recessed handles.
- Infinitely adjustable 10-32 threaded 11-gauge rackrail.
- 500 lb. weight capacity.
- Durable textured black powder coat finish.



PTRK-21

PORTABLE RACK ACCESSORIES
 REAR RACK RAIL
 LATCH
 DOCUMENT POCKET

Architects' and Engineers' Specifications

- PTRK series shall be MAP part # PTRK-XX. (X= # rack spaces required.)
- The PTRK shall be constructed of the following materials:
 1. Top & bottom shall be 16 gauge steel.
 2. Sides shall be 16 gauge steel.
 3. Rack rail shall be 11 gauge steel, with tapped 10-32 holes in universal E.I.A. spacing.
 4. Rear door shall be of 18 gauge steel.

5. Front door shall be of 16 gauge steel.

6. PTRK shall be of welded construction.

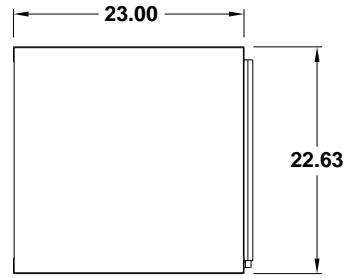
7. PTRK shall be phosphate pre-treated and finished in a durable textured black powder coat.

OPTIONS

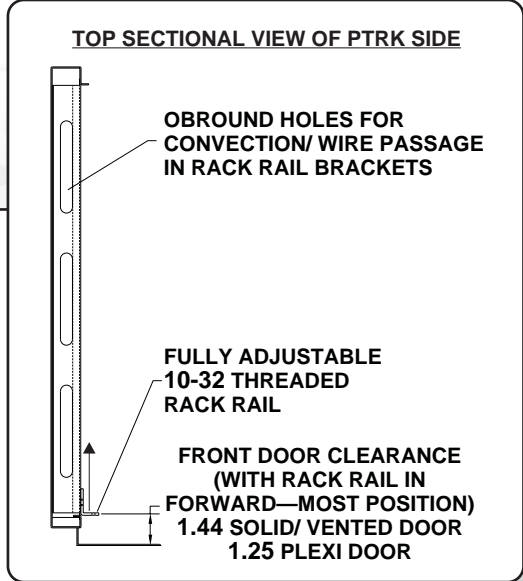
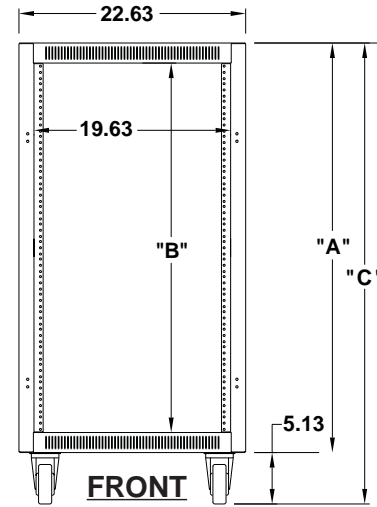
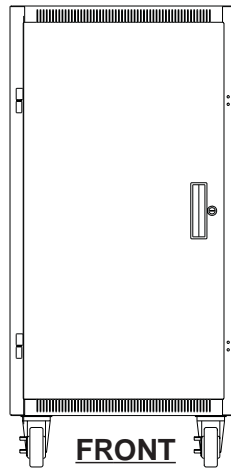
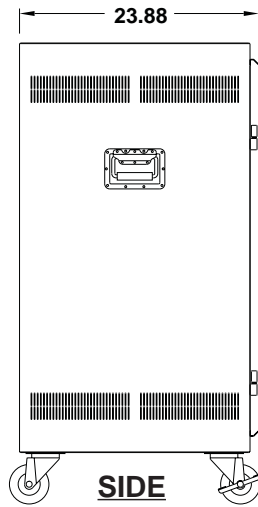
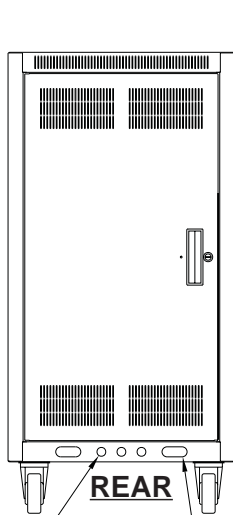
- Rear rack rail 10-32 threaded 11 gauge, in universal E.I.A. spacing. Part # PTRK-RRXX (X= # of rack spaces required)

The RACK SYSTEM EXPERTS

PTRK basic dimensions



TOP



PART #	RACKING HEIGHT		OVERALL HEIGHT
	'A'	'B'	'C'
PTRK-21	40.87	36.75/ 21 SP	46.00
PTRK-14	28.62	24.50/ 14 SP	33.75