



PRODUCT SPECIFICATION

IDM4018 and IWM Series Mount WALL MOUNT, DOME



Product Features

- For use with Spectra® Pendant Domes; IDM4018 can also be used with Other Pendant Style Domes using 1.5-inch NPT Threaded Pipe for Mounting
- Constructed of Aluminum (IDM4018) and Cast Aluminum (IWM Series)
- Mounts Directly to Vertical Load-Bearing Surface for Wall Mount Applications
- Supports up to 75 Pounds (34 kg)
- Includes Cable Feedthrough Hole
- IWM24 Series Includes Integral 24 VAC, 100 vA Transformer for use with Spectra Series Domes
- Can be used with PP4348 Parapet Mount, PA402 Pole Mount, or CM400 Corner Mount



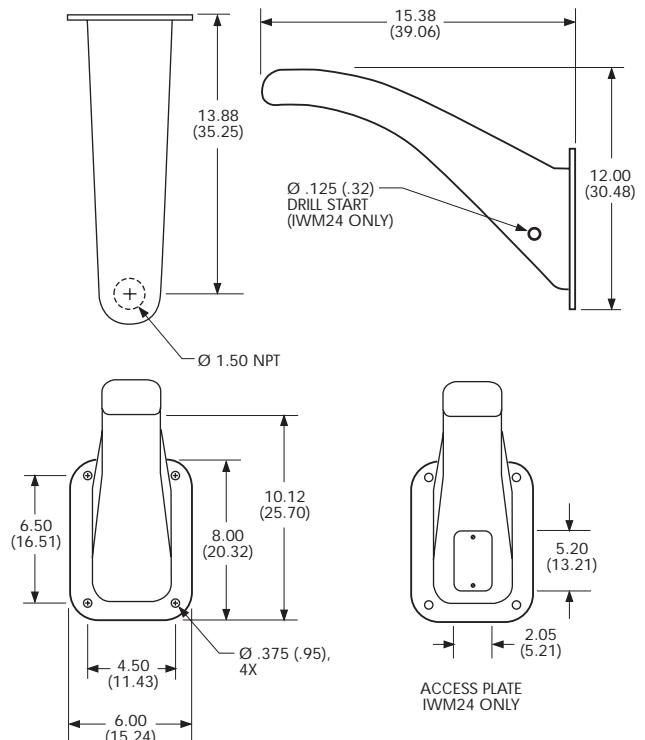
IWM-BK

The **IDM4018** and **IWM Series** wall mounts are designed primarily for use with Spectra® Series pendant domes, however, the **IDM4018** can also be used with other pendant style dome enclosures that utilize 1.5-inch NPT pipe for mounting.

The **IDM4018** is constructed of aluminum and has a gray polyester powder coat finish. The **IWM Series** is constructed of cast aluminum and is available in a black, gray, or white finish. The **IWM24 Series** is available in black or gray and includes an integral 24 VAC, 100 vA transformer. Input power (120 or 230 VAC, 50/60 Hz) is selectable via an internal slide switch which is easily accessible through a front access cover plate. Input wiring can enter the arm from openings in the mounting plate or flexible metal conduit fittings may be installed on each side of the mount. All mounts are designed to support up to 75 pounds (34 kg).

A 3.5-inch length of 1.5-inch NPT threaded pipe is supplied for attaching the dome to the mount. (Threaded pipe not needed for Spectra® Series as dome includes threaded pipe fitting.)

These mounts can be attached directly to any vertical load-bearing surface. In addition, they can also be used with the PP4348 parapet mount, the PA402 pole mount, or the CM400 corner mount for other mounting configurations.



NOTE: VALUES IN PARENTHESES ARE CENTIMETERS; ALL OTHERS ARE IN INCHES.

IWM SERIES DIMENSION DRAWING

DataFAX (800) 289-9108 or +1(559) 292-0435	SPEC: 2203	MANUAL: 22036 (IDM4018), 22886 (IWM Series)
Pelco Online www.pelco.com	SPEC: 2203	MANUAL: C203M.PDF, C288MC.PDF A&E: Consult Online Help



TECHNICAL SPECIFICATIONS

MODELS

IDM4018	Wall mount with removable front end cap and feedthrough capabilities for use with Spectra Series pendant domes and other pendant style domes using 1.5-inch NPT threaded pipe for mounting.
IWM-BK	Wall mount with cable feedthrough for use with Spectra Series pendant domes. Black finish.
IWM-GY	Same as IWM-BK except gray finish.
IWM-WT	Same as IWM-BK except white finish.
IWM24-BK	Wall mount with cable feedthrough for use with Spectra Series pendant domes. Includes integral 24 VAC, 100 vA transformer. Black finish.
IWM24-GY	Same as IWM24-BK except gray finish.

ELECTRICAL

(IWM24 Series Only)

Input Power	120/230 VAC, 50/60 Hz, switchable via an internal slide switch
Output Power	24 VAC, 100 vA transformer
Fuse	One 1.6 A, 120 VAC, fast acting One 500 mA, 230 VAC, fast acting

GENERAL

Suggested Mounting

Method	
IDM4018	Secure with four 5/16-inch fasteners (not supplied) suitable for the mounting surface
IWM Series	Secure with four 3/8-inch fasteners (not supplied) suitable for the mounting surface
Dome Mounting	3.5-inch length of 1.5-inch NPT threaded pipe supplied with all except IWM24 Series

Cable Entry

IDM4018 and
IWM Series
IWM24 Series

One cable hole on mounting plate
Two cable holes on mounting plate; can accommodate 1/2-inch (1.27 cm) conduit fittings or PG13.5 liquid-tight gland fittings. Two 3/4-inch (1.91 cm) conduit openings can be drilled on side of mount arm for flexible metal conduit connectors

Maximum Load Construction

IDM4018	75 lb (34 kg)	5052H32 Aluminum
IWM Series		Cast aluminum
IWM24 Series		Cast aluminum

Finish

IDM4018	Gray polyester powder coat
IWM-BK	Black polyester powder coat
IWM-GY	Gray polyester powder coat
IWM-WT	White polyester powder coat
IWM24-BK	Black polyester powder coat
IWM24-GY	Gray polyester powder coat

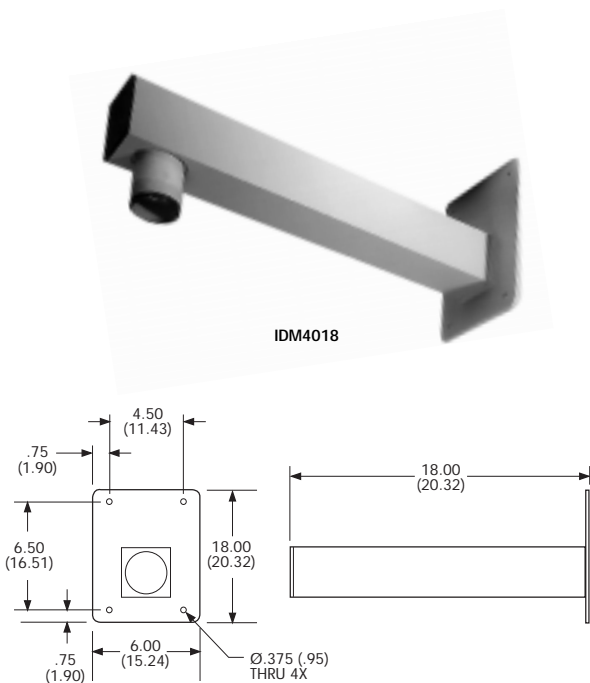
Environment	Indoor/outdoor	
Dimensions	See dimension drawings	
Weight	<u>Unit</u>	<u>Shipping</u>
IDM4018	4.00 lb (1.81 kg)	6 lb (2.71 kg)
IWM Series	4.72 lb (2.14 kg)	7 lb (3.17 kg)
IWM24 Series	7.95 lb (3.61 kg)	11 lb (4.98 kg)

CERTIFICATIONS/RATINGS

- ◆ CE compliant (IWM24-BK and IWM24-GY only)
- ◆ UL listed to Standard 2044 (IWM24-BK and IWM24-GY only)
- ◆ cUL listed to CSA 22.2 No. 1-94 (IWM24-BK and IWM24-GY only)
- ◆ NEMA 4 (IWM24-BK and IWM24-GY only)

OPTIONAL MOUNT ADAPTERS

CM400	Corner mount; use with IDM4018 and IWM Series mounts. (See C281 spec)
PA402	Pole mount adapter; use with IDM4018 and IWM Series mounts. (See C274 spec)
PP4348	Rooftop parapet mount; use with IDM4018 and IWM Series mounts. (See C204 spec)



NOTE: VALUES IN PARENTHESES ARE CENTIMETERS;
ALL OTHERS ARE IN INCHES.

IDM4018 DIMENSION DRAWING

Spectra® is a registered trademark of Pelco.
Specifications subject to change without notice.
©Copyright 1999, PELCO. All rights reserved.