



Middle Atlantic Products, Inc.

www.middleatlantic.com

96-045/ rev 4 / 12-12-03
DWR Series
Wall Mount Rack



The DWR Series 19" wall mount rack is ideal when installing larger systems in both secured and non-secured areas. Broadest range of sizes available, with outstanding cable lacing features

Features

- Available in 17", 22" and 26" depths
- Tool-Free Quick-Mount™ system allows for easy, one-person mounting of the center section to the backpan on the jobsite
- 16-gauge steel construction with 1/8" thick laser-cut corner braces
- Adjustable front rackrail, rear rackrail optional
- Center section hinges for left or right opening
- 1/2", 3/4", 1", 1-1/2", 2" & 3" electrical knockouts and 5/8" UHF/VHF antenna knockouts on top & bottom, easily removable for cable pass-through
- 2", 4" knockouts for Wiremold®4000 Series raceways, and knockouts for Middle Atlantic Products Universal Connector Panels on side
- 12-1/2" x 12-1/2" laser knockout opening in the backpan for electrical pull-box
- Backpan includes raised mounting embosses to mount power and other accessories
- Laser knockouts in the center section, top and bottom, accommodate four 4-1/2" fans
- Abundant velcro and internal cable tie points
- Finished in a durable black or granite gray textured powder coat
- UL Listed in the US and Canada



DWR-24-22

Architects' and Engineers' Specifications

EIA compliant 19" wall mount rack shall be Middle Atlantic Products model # DWR-__-__ (refer to chart). Overall dimensions shall be 23.4" W x ___" H x ___" D (refer to chart). Weight capacity shall be ___ lbs (refer to chart). Tool-Free Quick-Mount™ system enables one-person installation. Center section and backpan shall be 16-gauge steel, phosphate pre-treated and finished in a black or granite gray textured powder coat (black finish is standard, suffix part # with GY to indicate a granite gray finish). Rackrail shall be constructed of 11-gauge steel with tapped 10-32 mounting holes in universal EIA spacing with black e-coat finish and marked rackspaces. Rack shall be constructed to swing open for component cabling access, center section shall pivot for either left or right opening. Backpan includes raised mounting embosses to mount power products and other accessories. Rack shall have 3/4", 1", 1-1/2", 2" and 3" electrical knockouts, and BNC knockouts for UHF/VHF antennas knockouts top and bottom.

Large laser knockout on backpan shall have a 12-1/2" x 12-1/2" opening for cable-pass-through. Fan knockouts on top and bottom shall allow for installation of up to four 4-1/2" fans. Top, bottom and sides shall feature vertical vent pattern. Rack shall be UL Listed in the US and Canada.

OPTIONS

- Front doors - shall be 16-gauge steel, part # FD-XX (solid), VFD-XX (vented), PFD-XX (plexi), (XX=# of rackspaces of DWR rack)
- Keyless Latch - replaces keylock, fits front & rear doors, part # LATCH
- Rear rail kit - 11-gauge, 10-32 threaded, sold in pairs, hardware included, part # DWR-RRXX
- Vent Blockers - used to promote active thermal management, part # VBK-D17 (fits DWR-XX-17), VBK-SD22 (fits DWR-XX-22), VBK-E20 (fits DWR-XX-26)

electronic version available at www.middleatlantic.com

Engineered Mounting Solutions for Low Voltage Applications

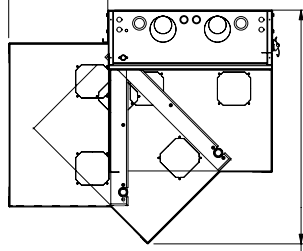
US: Riverdale, NJ • Simi Valley, CA • Harvey, IL • Voice: 973-839-1011 Fax: 973-839-1976 • www.middleatlantic.com
Canada: Ottawa, ON • Port Coquitlam, BC • Voice: 613-836-2501 Fax: 613-836-2690 • www.middleatlantic.com

DWR Series basic dimensions

All dimensions in inches unless otherwise noted [All bracketed dimensions are in millimeters]

CENTER SECTION CLEARANCE

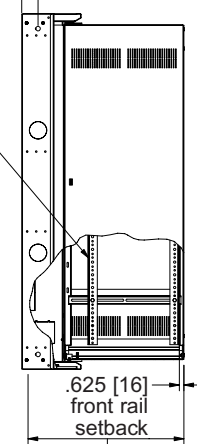
DWR-XX-17=8.65 [220]
 DWR-XX-22=13.65 [347]
 DWR-XX-26=17.65 [448]



DWR-XX-17=29.8 [757]
 DWR-XX-22=32.5 [826]
 DWR-XX-26=35.1 [892]

2x 2.25 [57]

shown with
 DWR rear
 rackrail kit
 DWR-RRXX



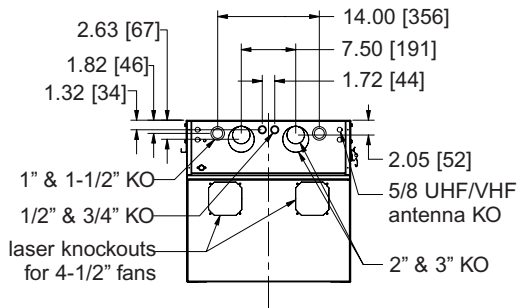
.625 [16]
 front rail
 setback

D
 useable depth
 (refer to chart)

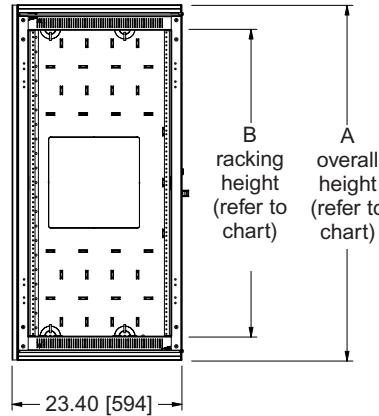
Note: Dimensions for 17", 22" and 26" deep models are given in the form (DWR-XX-17 / DWR-XX-22 / DWR-XX-26)

TOP VIEW

(knockouts pictured in top view are also located on the bottom view)

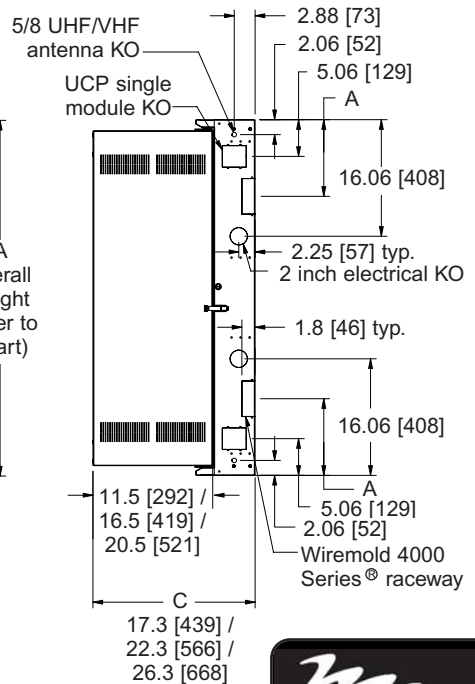
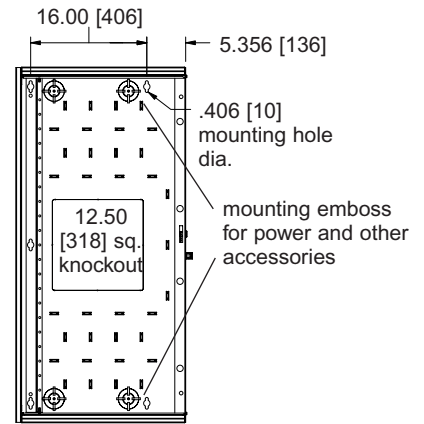


2.63 [67]
 1.82 [46]
 1.32 [34]
 1" & 1-1/2" KO
 1/2" & 3/4" KO
 laser knockouts for 4-1/2" fans
 14.00 [356]
 7.50 [191]
 1.72 [44]
 2.05 [52]
 5/8 UHF/VHF antenna KO
 2" & 3" KO



B
 racking height
 (refer to chart)
 A
 overall height
 (refer to chart)
 23.40 [594]

FRONT VIEW BACK PAN



16.00 [406]
 5.356 [136]
 .406 [10] mounting hole dia.
 mounting emboss for power and other accessories
 12.50 [318] sq. knockout
 2.88 [73]
 2.06 [52]
 5.06 [129]
 A
 16.06 [408]
 2.25 [57] typ.
 2 inch electrical KO
 1.8 [46] typ.
 16.06 [408]
 A
 5.06 [129]
 2.06 [52]
 Wiremold 4000 Series® raceway
 11.5 [292] / 16.5 [419] / 20.5 [521]
 C
 17.3 [439] / 22.3 [566] / 26.3 [668]



PART #	A OVERALL HEIGHT	B RACKING HEIGHT / RACKSPACES	C OVERALL DEPTH	D USEABLE DEPTH	WEIGHT CAPACITY
DWR-10-17*	24.50 [622]	17.50 [445] / 10 spaces	17.00 [432]	15.00 [381]	200 lbs.
DWR-10-22*	24.50 [622]	17.50 [445] / 10 spaces	22.00 [559]	20.00 [508]	200 lbs.
DWR-12-17*	28.00 [711]	21.00 [533] / 12 spaces	17.00 [432]	15.00 [381]	200 lbs.
DWR-12-22*	28.00 [711]	21.00 [533] / 12 spaces	22.00 [559]	20.00 [508]	200 lbs.
DWR-12-26*	28.00 [711]	21.00 [533] / 12 spaces	26.00 [660]	24.00 [610]	200 lbs.
DWR-16-17*	35.00 [889]	28.00 [711] / 16 spaces	17.00 [432]	15.00 [381]	200 lbs.
DWR-16-22*	35.00 [889]	28.00 [711] / 16 spaces	22.00 [559]	20.00 [508]	200 lbs.
DWR-18-17*	38.50 [978]	31.50 [800] / 18 spaces	17.00 [432]	15.00 [381]	250 lbs.
DWR-18-22*	38.50 [978]	31.50 [800] / 18 spaces	22.00 [559]	20.00 [508]	250 lbs.
DWR-18-26*	38.50 [978]	31.50 [800] / 18 spaces	26.00 [660]	24.00 [610]	250 lbs.
DWR-21-17*	43.75 [1111]	36.75 [933] / 21 spaces	17.00 [432]	15.00 [381]	250 lbs.
DWR-21-22*	43.75 [1111]	36.75 [933] / 21 spaces	22.00 [559]	20.00 [508]	250 lbs.
DWR-24-17*	49.00 [1245]	42.00 [1067] / 24 spaces	17.00 [432]	15.00 [381]	300 lbs.
DWR-24-22*	49.00 [1245]	42.00 [1067] / 24 spaces	22.00 [559]	20.00 [508]	300 lbs.
DWR-24-26*	49.00 [1245]	42.00 [1067] / 24 spaces	26.00 [660]	24.00 [610]	300 lbs.
DWR-35-17*	68.25 [1734]	61.25 [1556] / 35 spaces	17.00 [432]	15.00 [381]	300 lbs.
DWR-35-22*	68.25 [1734]	61.25 [1556] / 35 spaces	22.00 [559]	20.00 [508]	300 lbs.
DWR-35-26*	68.25 [1734]	61.25 [1556] / 35 spaces	26.00 [660]	24.00 [610]	300 lbs.

* Note: Black finish standard, suffix part # with 'GY' to indicate a granite gray finish