

LIMITED WARRANTY

This product is warranted to the original consumer purchaser to be free from defects in materials and workmanship under normal installation, use and service for a period of one (1) year from the date of purchase as shown on the purchaser's receipt.

The obligation of Rolls Corporation under this warranty shall be limited to repair or replacement (at our option), during the warranty period of any part which proves defective in material or workmanship under normal installation, use and service, provided the product is returned to Rolls Corporation, TRANSPORTATION CHARGES PREPAID. Products returned to us or to an authorized Service Center must be accompanied by a copy of the purchase receipt. In the absence of such purchase receipt, the warranty period shall be one (1) year from the date of manufacture.

This warranty shall be invalid if the product is damaged as a result of defacement, misuse, abuse, neglect, accident, destruction or alteration of the serial number, improper electrical voltages or currents, repair, alteration or maintenance by any person or party other than our own service facility or an authorized Service Center, or any use violative of instructions furnished by us.

This one-year warranty is in lieu of all expressed warranties, obligations or liabilities. ANY IMPLIED WARRANTIES, OBLIGATIONS, OR LIABILITIES, INCLUDING BUT NOT LIMITED TO THE IMPLIED WARRANTIES OF MERCHANTABILITY AND FITNESS FOR A PARTICULAR PURPOSE, SHALL BE LIMITED IN DURATION TO THE ONE YEAR DURATION OF THIS WRITTEN LIMITED WARRANTY. Some states do not allow limitations on how long an implied warranty lasts, so the above limitation may not apply to you.

IN NO EVENT SHALL WE BE LIABLE FOR ANY SPECIAL, INCIDENTAL OR CONSEQUENTIAL DAMAGES FOR BREACH OF THIS OR ANY OTHER WARRANTY, EXPRESSED OR IMPLIED, WHATSOEVER. Some states do not allow the exclusion or limitation of special, incidental or consequential damages so the above limitation or exclusion may not apply to you. This warranty gives you specific legal rights, and you may also have other rights which vary from state to state.

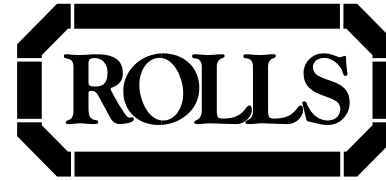
DB25 Matchbox

- Converts high-impedance to low-impedance & vice-versa
- Ground Lift for "hum" reduction
- Attenuator switch for connection to line level or speaker level signals

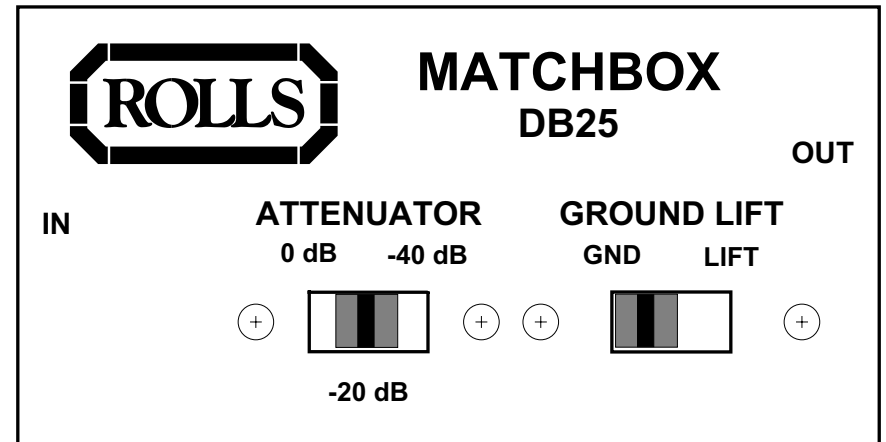
The DB25 is a passive direct box for converting a high impedance signal such as a direct out from a bass amplifier, to a low impedance signal such as a snake input and a mixer's microphone input. The Ground Lift is provided to reduce possible ground hum or buzz.



Salt Lake City,
Utah 8/99



DB25 MATCHBOX Direct Box



Owners Manual

INTRODUCTION

Thank you for your purchase of the DB 25 MATCHBOX, a passive direct box designed to take high impedance signals and convert them to low impedance. The unit features an Attenuator switch for padding the input signal by either 20 or 40 dB, and a Ground Lift switch which may reduce unwanted hum caused by "ground loops".

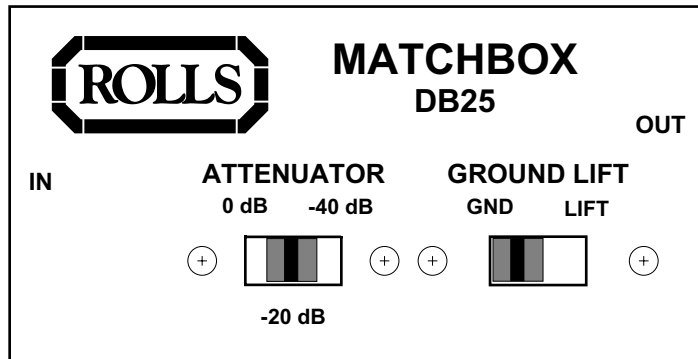
DESCRIPTION

Input Jacks: 1/4" unbalanced jacks for receiving line or instrument level signals.

Attenuator switch: Reduces the input signal by the amount indicated.

Ground Lift Switch: In the "Lift" position, the ground connection of the XLR jack is disconnected from the chassis.

Output Jack: XLR balanced jack for connection to a mixing board or other balanced input device.



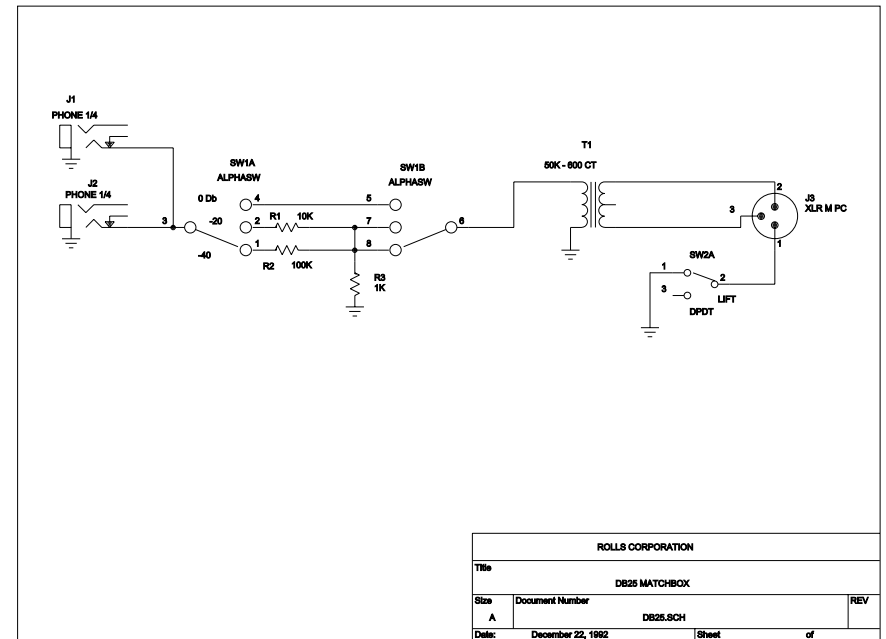
SPECIFICATIONS

Frequency Response: 50 - 15kHz +/- 3 dB

Output Impedance: 600 Ω

Input Impedance: 50K Ω

Max Output Level: +4 dBm



EXAMPLE APPLICATIONS

